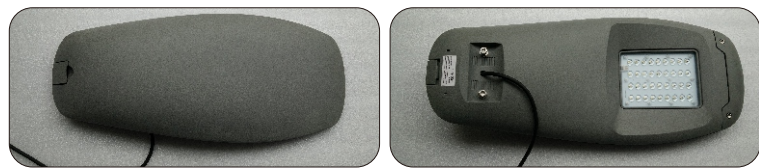


KTSL5808MA



IP66 IK10     



Feature

- Die casting aluminum housing with phosphate treatment, and power coated finishing
- Ip65 rated for external roadway illumination
- Taughened glass with good light transmittion rate
- LED emiiter brand can be varied according to requirement
- Equipped with High efficiency and power factor led power supply
- Longlife span over 50000 Hours

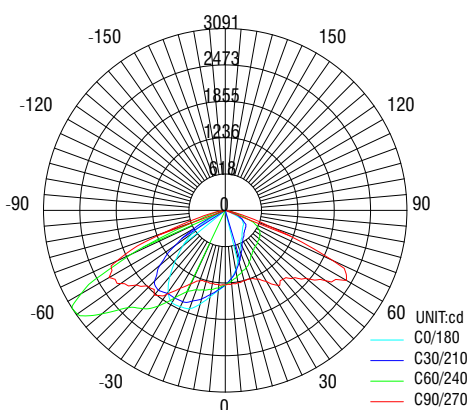
Application

Motorways, Major roads, minor roads, roundabouts, crossings and industrial areas.

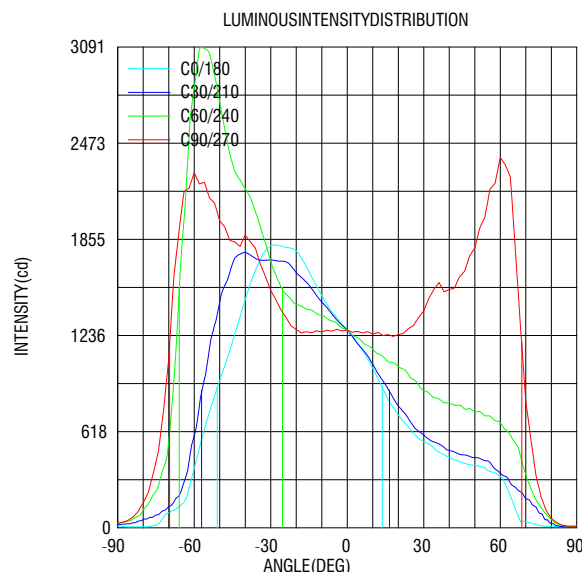
Available housing colors



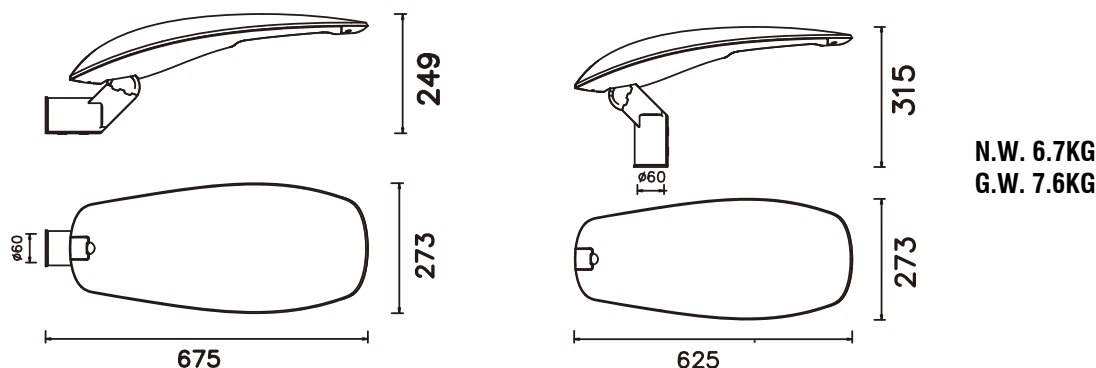
**INTENSITY DISTRIBUTION DIAGRAM
INCLPLANS**



**INTENSITY DISTRIBUTION DIAGRAM
INCLPLANS**



KTSL5808M



Specification TUV-GS,CE,CB Certified EMC,LVD,ROHS,PATH,IP,IK

Product Code	KTSL5808MA-30	KTSL5808MA-40	KTSL5808MA-50	KTSL5808MA-60	KTSL5808MA-70	KTSL5808MA-80
LED Qty	14PCS (CREE XT-E)	18PCS (CREE XT-E)	24PCS (CREE XT-E)	28PCS (CREE XT-E)	32PCS (CREE XT-E)	36PCS (CREE XT-E)
Total Power consumption	30W	40W	50W	60W	70W	80W
Input Voltage(Meanwell)	AC95~305V	AC95~305V	AC95~305V	AC95~305V	AC95~305V	AC95~305V
Frequency Range	50~60Hz	50~60Hz	50~60Hz	50~60Hz	50~60Hz	50~60Hz
Power Factor	>0.95	>0.95	>0.95	>0.95	>0.95	>0.95
LED Color	WW/NW/CW	WW/NW/CW	WW/NW/CW	WW/NW/CW	WW/NW/CW	WW/NW/CW
CRI	>70	>70	>70	>70	>70	>70
Initial Flux (lumen)	3300	4400	5500	6600	7700	8800
Efficiency	>110LM/W	>110LM/W	>110LM/W	>110LM/W	>110LM/W	>110LM/W
Working Ambient Temperature	-40°C~50°C	-40°C~50°C	-40°C~50°C	-40°C~50°C	-40°C~50°C	-40°C~50°C
Working Ambient Humidity	10%~90%	10%~90%	10%~90%	10%~90%	10%~90%	10%~90%
Life Span	>50000Hrs	>50000Hrs	>50000Hrs	>50000Hrs	>50000Hrs	>50000Hrs

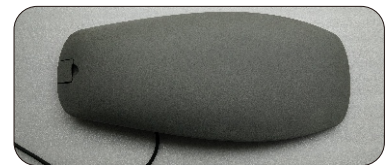
KTSL5808LA



www.kontakledlight.com



IP66 IK10     



Feature

- Die casting aluminum housing with phosphate treatment, and power coated finishing
- Ip65 rated for external roadway illumination
- Toughened glass with good light transmission rate
- LED emitter brand can be varied according to requirement
- Equipped with High efficiency and power factor led power supply
- Longlife span over 50000 Hours

Application

Motorways, Major roads, minor roads, roundabouts, crossings and industrial areas.

Available housing colors



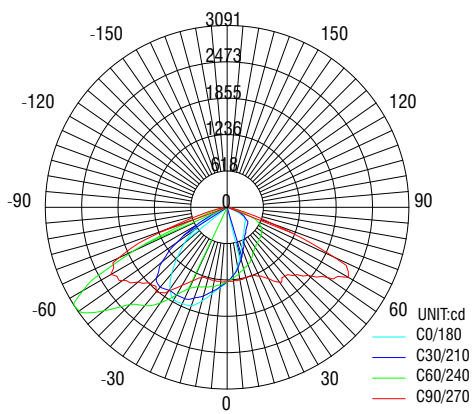
Black

Gray

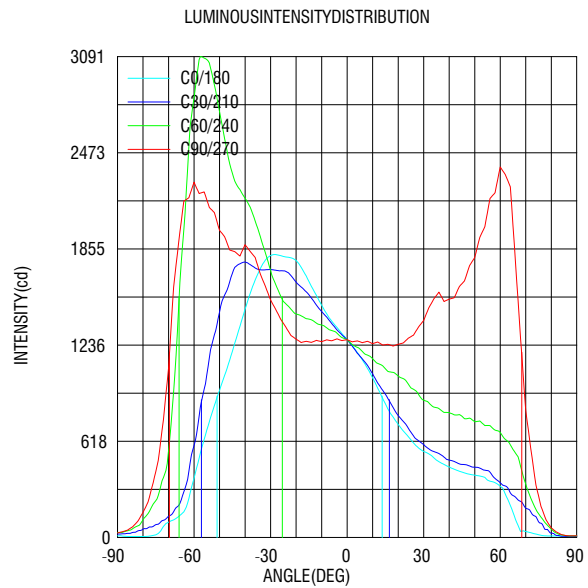
White

Blue

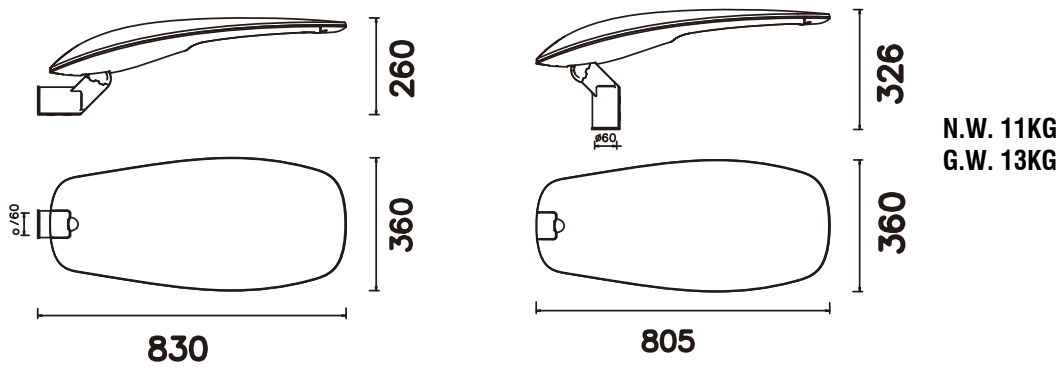
INTENSITY DISTRIBUTION DIAGRAM
IN PLANS



INTENSITY DISTRIBUTION DIAGRAM
IN PLANS



KTSL5808L



Specification

TUV-GS,CE,CB Certified EMC,LVD,ROHS,PATH,IP,IK

Product Code	KTSL5808LA-100	KTSL5808LA-120	KTSL5808LA-150	KTSL5808LA-160
LED Qty	48PCS (CREE XT-E)	56PCS (CREE XT-E)	72PCS (CREE XT-E)	72PCS (CREE XT-E)
Total Power consumption	100W	120W	150W	160W
Input Voltage(Meanwell)	AC95~305V	AC95~305V	AC95~305V	AC95~305V
Frequency Range	50~60Hz	50~60Hz	50~60Hz	50~60Hz
Power Factor	>0.95	>0.95	>0.95	>0.95
LED Color	WW/NW/CW	WW/NW/CW	WW/NW/CW	WW/NW/CW
CRI	>70	>70	>70	>70
Initial Flux (lumen)	11000	13200	16500	17600
Efficiency	>110LM/W	>110LM/W	>110LM/W	>110LM/W
Working Ambient Temperature	-40°C~50°C	-40°C~50°C	-40°C~50°C	-40°C~50°C
Working Ambient Humidity	10%~90%	10%~90%	10%~90%	10%~90%
Life Span	>50000Hrs	>50000Hrs	>50000Hrs	>50000Hrs

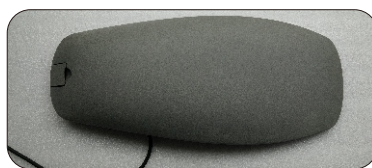


www.kontakledlight.com

KTSL5808MB



IP66 IK10     



Feature

- Die casting aluminum housing with phosphate treatment, and power coated finishing
- Ip65 rated for external roadway illumination
- Taughened glass with good light transmittion rate
- LED emiiter brand can be varied according to requirement
- Equipped with High e efficiency and power factor led power supply
- Longlife span over 50000 Hours

Application

Motorways, Major roads, minor roads, roundabouts, crossings and industrial areas.

Available housing colors



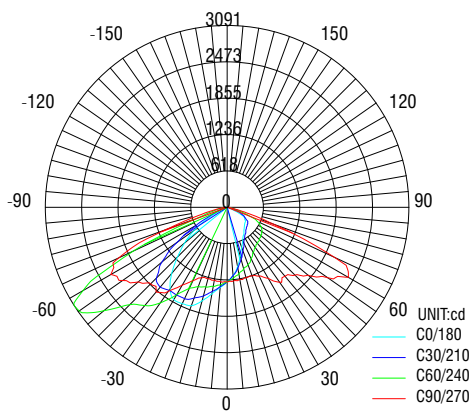
Black

Gray

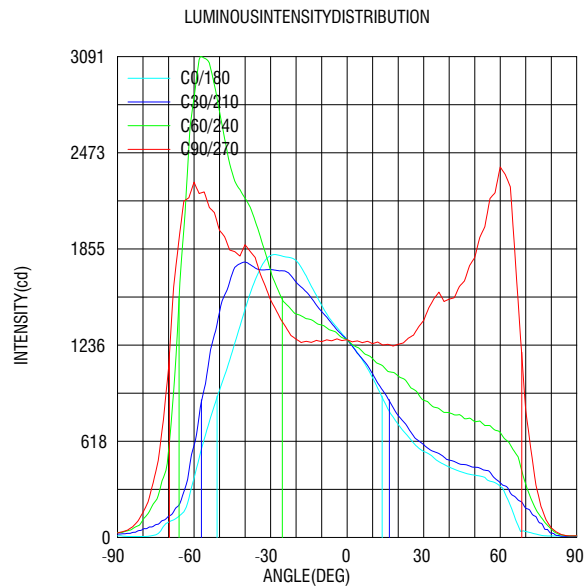
White

Blue

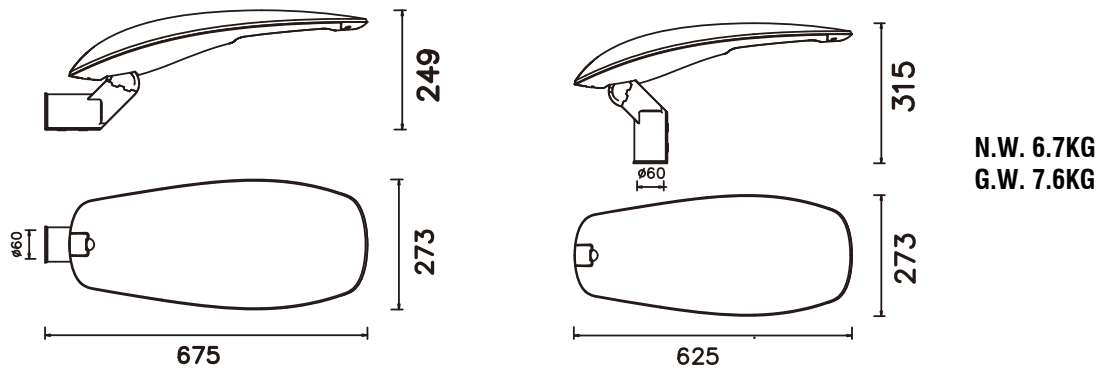
INTENSITY DISTRIBUTION DIAGRAM
INC PLANS



INTENSITY DISTRIBUTION DIAGRAM
INC PLANS



KTSL5808M



Specification

TUV-GS,CE,CB Certified EMC,LVD,ROHS,PATH,IP,K

Product Code	KTSL5808MB-30	KTSL5808MB-40	KTSL5808MB-50	KTSL5808MB-60
LED Qty	1PCSX30W (CREE)	1PCSX40W (CREE)	1PCSX50W (CREE)	1PCSX60W (CREE)
Total Power consumption	30W	40W	50W	60W
Input Voltage	AC95~305V	AC95~305V	AC95~305V	AC95~305V
Frequency Range	50~60Hz	50~60Hz	50~60Hz	50~60Hz
Power Factor	>0.95	>0.95	>0.95	>0.95
LED Color	WW/NW/CW	WW/NW/CW	WW/NW/CW	WW/NW/CW
CRI	>70	>70	>70	>70
Initial Flux (lumen)	3300	4400	5500	6600
Efficiency	>110LM/W	>110LM/W	>110LM/W	>110LM/W
Working Ambient Temperature	-40°C~50°C	-40°C~50°C	-40°C~50°C	-40°C~50°C
Working Ambient Humidity	10%~90%	10%~90%	10%~90%	10%~90%
Life Span	>50000Hrs	>50000Hrs	>50000Hrs	>50000Hrs

KTSL5808LB



IP66 IK10 



Feature

- Die casting aluminum housing with phosphate treatment, and power coated finishing
- Ip65 rated for external roadway illumination
- Taughened glass with good light transmittion rate
- LED emiiter brand can be varied according to requirement
- Equipped with High e efficiency and power factor led power supply
- Longlife span over 50000 Hours

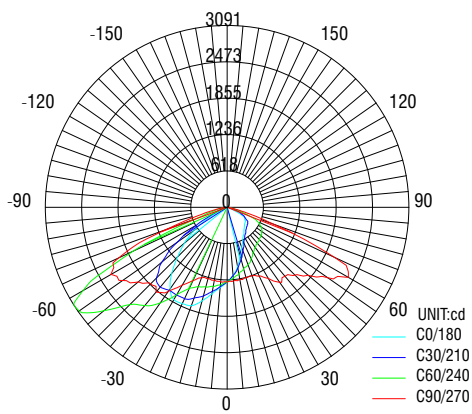
Application

Motorways, Major roads, minor roads, roundabouts, crossings and industrial areas.

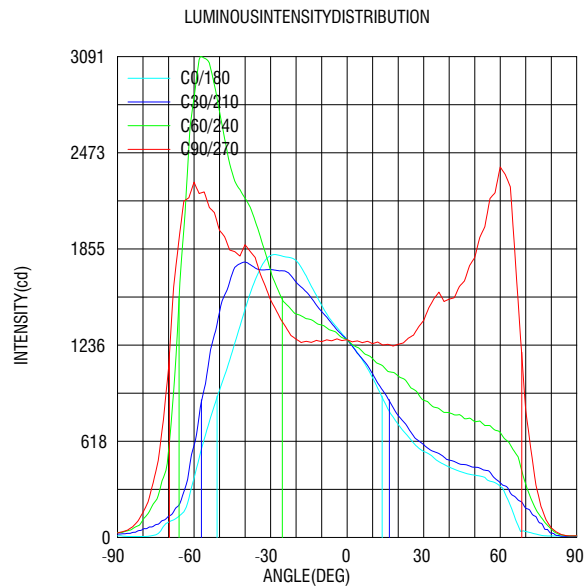
Available housing colors



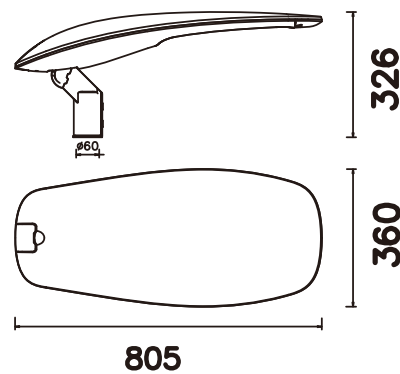
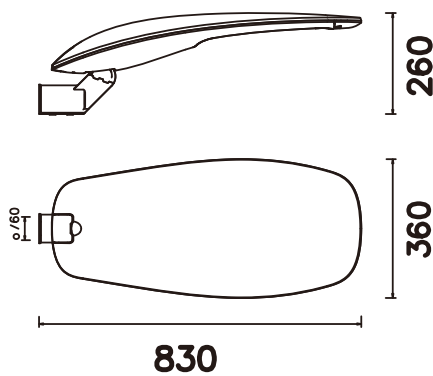
**INTENSITY DISTRIBUTION DIAGRAM
INC PLANS**



**INTENSITY DISTRIBUTION DIAGRAM
INC PLANS**



KTSL5808L



**N.W. 11KG
 G.W. 13KG**

Specification

TUV-GS,CE,CB Certified EMC,LVD,ROHS,PATH,IP,IK

Product Code	KTSL5808LB-80	KTSL5808LB-100	KTSL5808LB-120
LED Qty	2PCSX40W (CREE)	2PCSX50W (CREE)	2PCSX60W (CREE)
Total Power consumption	80W	100W	120W
Input Voltage	AC95~305V	AC95~305V	AC95~305V
Frequency Range	50~60Hz	50~60Hz	50~60Hz
Power Factor	>0.95	>0.95	>0.95
LED Color	WW/NW/CW	WW/NW/CW	WW/NW/CW
CRI	>70	>70	>70
Initial Flux (lumen)	8800	11000	13200
Efficiency	>110LM/W	>110LM/W	>110LM/W
Working Ambient Temperature	-40°C~50°C	-40°C~50°C	-40°C~50°C
Working Ambient Humidity	10%~90%	10%~90%	10%~90%
Life Span	>50000Hrs	>50000Hrs	>50000Hrs